

CDPS-P311R

HDMI/VGA Live Video Streamer with Recording

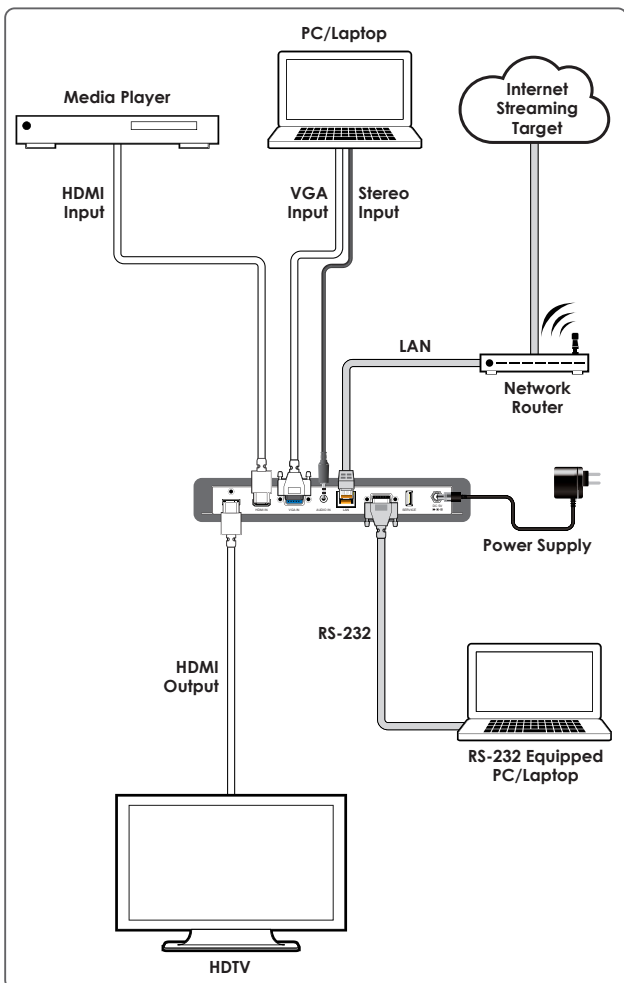


CDPS-P311R makes online broadcasting of live video, with a locally stored archive, an easy and simple process. Video content up to 4K UHD+ is supported and is automatically scaled to a resolution that is more appropriate for efficient streaming. An HDMI output is provided for local monitoring of the selected input source. The video may also be recorded locally (via SD card) or to a local network drive. An audio mixer function is included, allowing an external audio source to be mixed with the embedded audio of your HDMI source (LPCM 2.0 only) for your video stream. Comprehensive EDID management, intuitive WebGUI, and adjustable Audio functions make this unit a wonderful tool for video streaming and recording.

PANELS



DIAGRAM



FEATURES

- HDCP 1.x and HDCP 2.2 compliant
Note: HDCP encrypted sources cannot be streamed over the Internet and will be blacked out
- Advanced H.264 video streaming and recording is provided at QVGA (320×240), VGA (640×480), 720p, or 1080p at up to 60fps
- Recorded video can be stored on the locally inserted SD card, USB storage, or to a designated network drive supporting file system FAT32, EXFAT, NFS, and CIFS
- Can act as a streaming server (using RTP/RTSP protocols) or streaming client (using the RTMP protocol)
- Audio embedding and mixing support with the analog stereo audio input
Note: Analog audio can only be mixed with LPCM 2.0 audio from the HDMI source.
- Integrated support for live streaming to Facebook, YouTube or Twitch channels
- On screen countdown timer and text overlays are supported
- Automatic input switching and downscaling function converting UHD video content (up to 4K@60Hz) down to 1080p or lower for live video broadcast
- Generates 4 simultaneous streams from the same video source (1080p@60fps, 1080p@30fps, VGA@30fps, QVGA@30fps) for easy system integration at multiple bandwidth targets
- Control via front panel buttons, WebGUI, Telnet, RS-232, and IR

SPECIFICATIONS

Interfaces

Input Port	1 HDMI (Type-A) 1 VGA (HD-15) 1 Unbalanced Stereo (3.5mm)
Output Port	1 HDMI (Type-A)
Pass-through Port	1 LAN (RJ-45) 1 RS-232 (DE-9) 1 MicroSD slot
Service Port	1 USB (Type-A)

Video

HDMI Compliance	2.0
HDCP Compliance	2.2
Input Signal Type	4K@60 8bit YUV 4:4:4
Output Signal Type	4K@60 8bit YUV 4:4:4

Resolutions

Maximum Input	HDMI	4096×2160p@60 2560×1600p@60RB
	VGA	1920×1200p@60RB
Maximum Output	HDMI	4096×2160p@60 2560×1600p@60RB
	H.264 Stream	1080p@60

Audio

HDMI	Unbalanced Stereo, 2CH LPCM
-------------	-----------------------------

Power

Power Supply	5V/2.6A
Power Consumption	9.57W (Full load)

Enclosure

Chassis Material	Metal (Steel)
Chassis Color	Black
Dimensions (W×H×D)	231.5mm×25mm×108mm [Case Only] 231.5mm×25mm×117mm [All Inclusive]
Weight	668g

Field Firmware Update

USB Flash Drive, WebGUI

ORDERING INFORMATION

Model No.	Product Description
CDPS-P311R	HDMI/VGA to HDMI Live Video Streamer with Recording